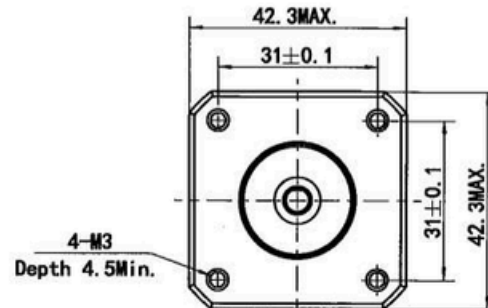
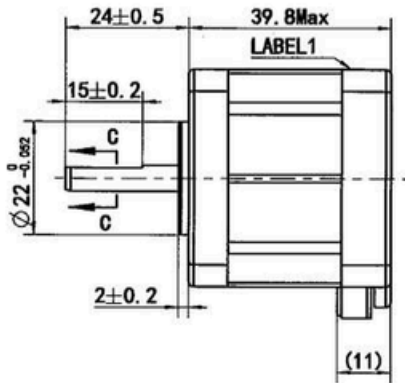
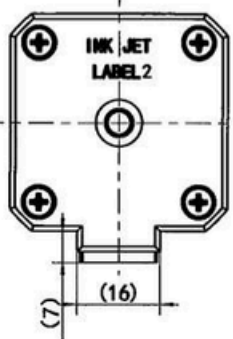


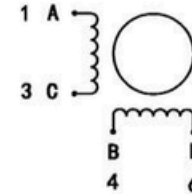
MS17HD2P4040



JST S6B-PH-K-S (LF) (SN)
or MOLEX 89401-0610

123456 PIN No.

Wiring Diagram



Exciting Sequence vs. Direction of Rotation

STEP	A	B	C	D	CCW
1	+	+	-	-	↑
2	-	+	+	-	
3	-	-	+	+	
4	+	-	-	+	

Clockwise view from mounting side

Label 1 Detail

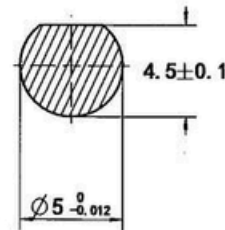
STEPPING MOTOR
 Insulation: Class B, 60VDC Max.
 0.4Amps Holding; 0.48Nm
 3000RPM Max. **CAUS**
 UL FILE No. E465363 XXX
 Factory ID

Label 2 Detail

TYPE MS17HD2P4040
 XXXXXXXX YY/MM/DD
 Work Order Date Format

Specification	
1. Number of Phase	2
2. Step Angle	1.8°
3. Rated Voltage	9.6 V DC
4. Rated Current	0.4 Amp
5. Holding Torque	0.48 Nm Typ. (Two phase on/rated current)
6. Phase Resistance	24 ohm±10% (20°C)
7. Phase Inductance	56 mH±20% (1kHz 1V rms)
8. Rotor Inertia	57 gcm ²
9. Motor Weight	0.28 kg
10. Insulation Class	B (130°C)

C-C(4:1)



REV.	REVISION RECORD	DATE	UNLESS OTHERWISE SPECIFIED	NAMES	SIGNATURE	DATE	Drawing No: 4611110008898	Rev. E1	SCALE: 1:1	Sheet 1 of 1
E1	EGR:23-317	2023.03.28	Unit:mm	Approve			<div style="text-align: center;"> <h1>PIVEXIN</h1> <h2>TECHNOLOGY</h2> </div>			
E0	Update nameplate	2017.04.24	First angle method	Standardize						
D0	441 mNm Min, Change the nameplate	2013.01.24	Tolerances for linear and angular dimensions without individual tolerance indications GB/T 1804-m eqv ISO 2768-1:m	Process Review						
C0	490 mNm Min.	2012.11.07	Geometrical tolerance for features without individual tolerance indications GB/T 1184-K eqv ISO 2768-2:K	Check						
B0	25 ohm, 12V	2012.03.12		Design						
A0	Original revision	2011.07.18								